

# INSTALLATION INSTRUCTIONS OF DIGITAL DOOR LOCK

## Lockey M-220 Surface Mount Long & Short Bar Deadbolt

### I. THE NAME AND DETAILS OF THE ENCLOSED PARTS

NO.	Name of Parts	NO. 2000
1.	Outside Body	1 piece
2.	Inside Body	1 piece
3.	Rubber Escutcheon	2 pieces
4.	Mortised Strike	1 piece
5.	Spindle for 40-55mm (1.37/64" - 2.11/64")	1 piece
6.	Spindle for 30-45mm (1.3/16" - 1.49/64")	1 piece
7.	Machine Screw M4 x 1.31/32" for above 5	2 pieces
8.	Machine Screw M4 x 1.3/8" for above 6	2 pieces
9.	Wood Screw M4 x 5/8"	4 pieces
10.	Key Tumbler (red)	1 piece
11.	Keyless Tumbler (blue)	1 piece
12.	Tweezers	1 piece
13.	Hexagonal Bolts	2 pieces

### II. CONFIRM THE POSITION OF HINGE BEFORE INSTALLATION

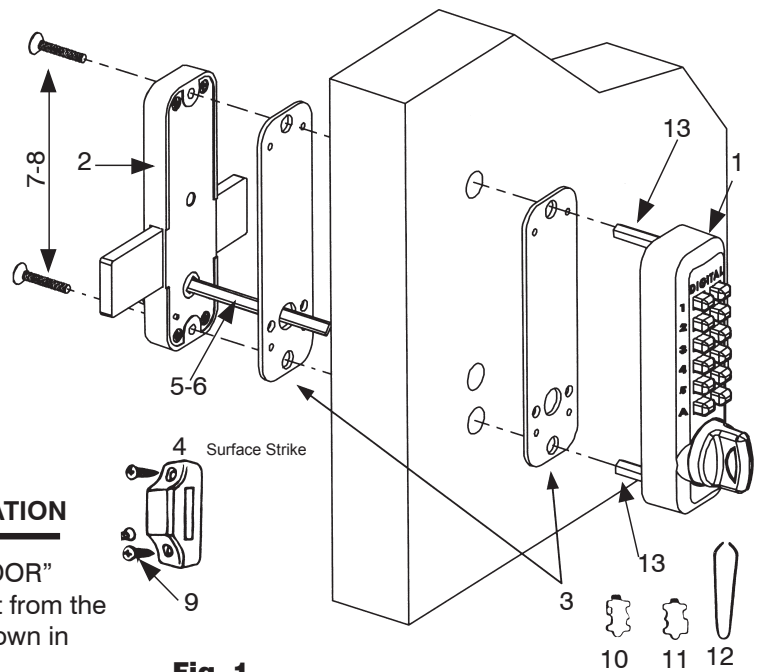
DIGITAL DOOR LOCK is equipped with "FOR RIGHT HAND DOOR" which the hinge is installed on the right of the door on the sight from the out-door regardless of the opening direction of the door, as shown in Fig.1.

••• In case of "FOR LEFT HAND DOOR", change the PIN as the following explanation. •••

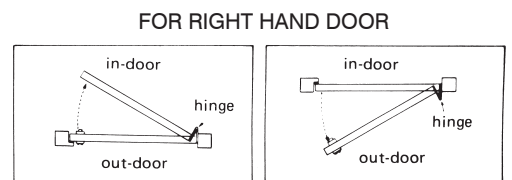
- Remove 2 blue colored screws by the driver and take off the rectangular lid.
- After pulling up the PIN by the supplied tweezers, insert it into the right hole sufficiently. (as Fig. 2.)
- Reset the lid with 2 blue colored screws.

### III. HOW TO INSTALL THE DIGITAL DOOR LOCK

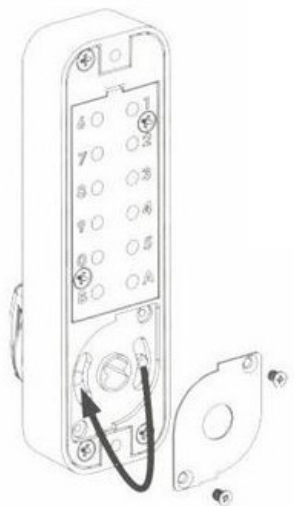
- Use a template at first and decide the position where DIGITAL DOOR LOCK is to be installed.
- Drill holes as per template. (See Fig.3.)



**Fig. 1**



**Fig. 2**



**Fig. 3**

