

INSTALLATION INSTRUCTIONS OF DIGITAL DOOR LOCK

Lockey 2000 (Built-In type Dead bolt Lock with Throw of Bolt: 25.4mm (1"))

I. THE NAME AND DETAILS OF THE ENCLOSED PARTS

NO.	Name of Parts	NO. 2000
1.	Outside Body	1 piece
2.	Inside Body	1 piece
3.	Rubber Escutcheon	2 pieces
4.	Mortised Strike	1 piece
5.	Spindle for 40-55mm (1.37/64" - 2.11/64")	1 piece
6.	Spindle for 30-45mm (1.3/16" - 1.49/64")	1 piece
7.	Machine Screw M4 x 1.31/32" for above 5	2 pieces
8.	Machine Screw M4 x 1.3/8" for above 6	2 pieces
9.	Wood Screw M4 x 5/8"	4 pieces
10.	Key Tumbler (red)	1 piece
11.	Keyless Tumbler (blue)	1 piece
12.	Dead bolt Unit	1 piece
13.	Tweezers	1 piece
14.	Hexagonal Bolts	2 pieces
15.	Brass Support Pin	1 piece

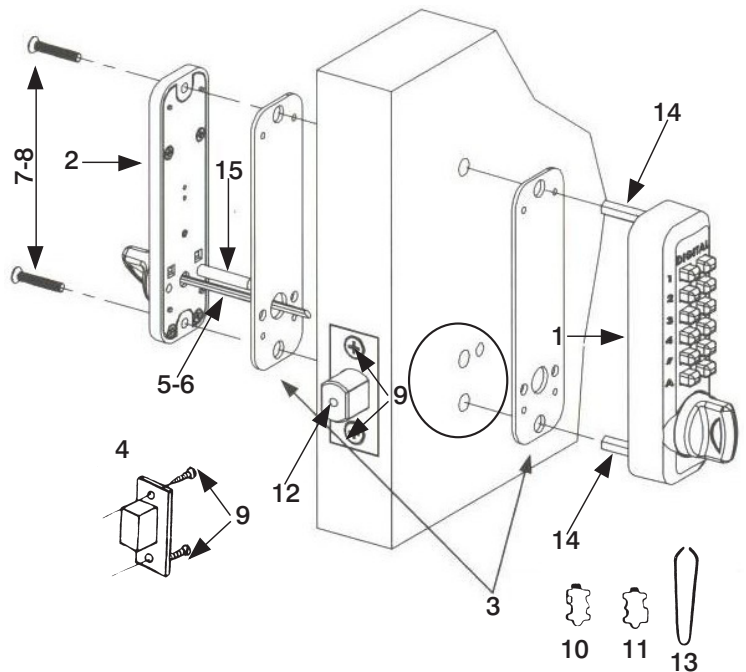
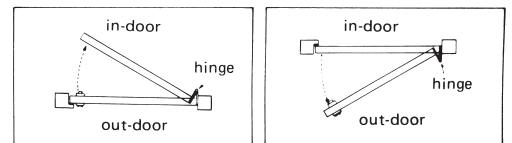


Fig. 1 FOR RIGHT HAND DOOR



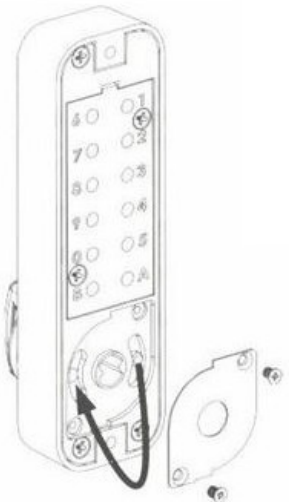
II. CONFIRM THE POSITION OF HINGE BEFORE INSTALLATION

DIGITAL DOOR LOCK is equipped with "FOR RIGHT HAND DOOR" which the hinge is installed on the right of the door on the sight from the out-door regardless of the opening direction of the door, as shown in Fig.1.

••• In case of "FOR LEFT HAND DOOR", change the PIN as the following explanation. •••

- Remove 2 blue colored screws by the driver and take off the rectangular lid.
- After pulling up the PIN by the supplied tweezers, insert it into the right hole sufficiently. (as Fig. 2.)
- Reset the lid with 2 blue colored screws.

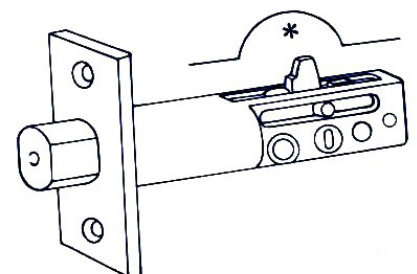
Fig. 2



III. HOW TO INSTALL THE DIGITAL DOOR LOCK

- Use a template at first and decide the position where DIGITAL DOOR LOCK is to be installed.
- Drill holes as per template.

Fig. 3

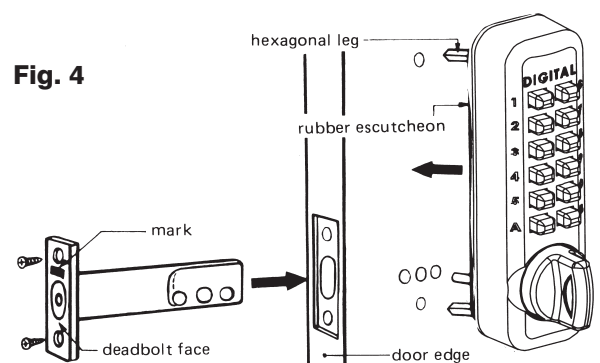


IMPORTANT

You must ensure that inside of 22mm (7/8") mortise hole is enlarged by moving wood drill up and down or using a small chisel - This is to give clearance for movement of "CAM" which moves up as dead bolt is thrown (as shown in diagram*) (Fig.3) - check clearance required by turning spindle in dead bolt and view movement of CAM.

- After placing the Rubber Escutcheon to the back-side of outside body, insert 2 hexagonal legs of the outside body into the holes of upper and lower position on the door. (See Fig.4.)

Fig. 4



d. According to the door thickness, select the proper spindle. And insert it into the hole which is located at the back-side of outside body through the hole of Dead bolt Unit from the indoor side.

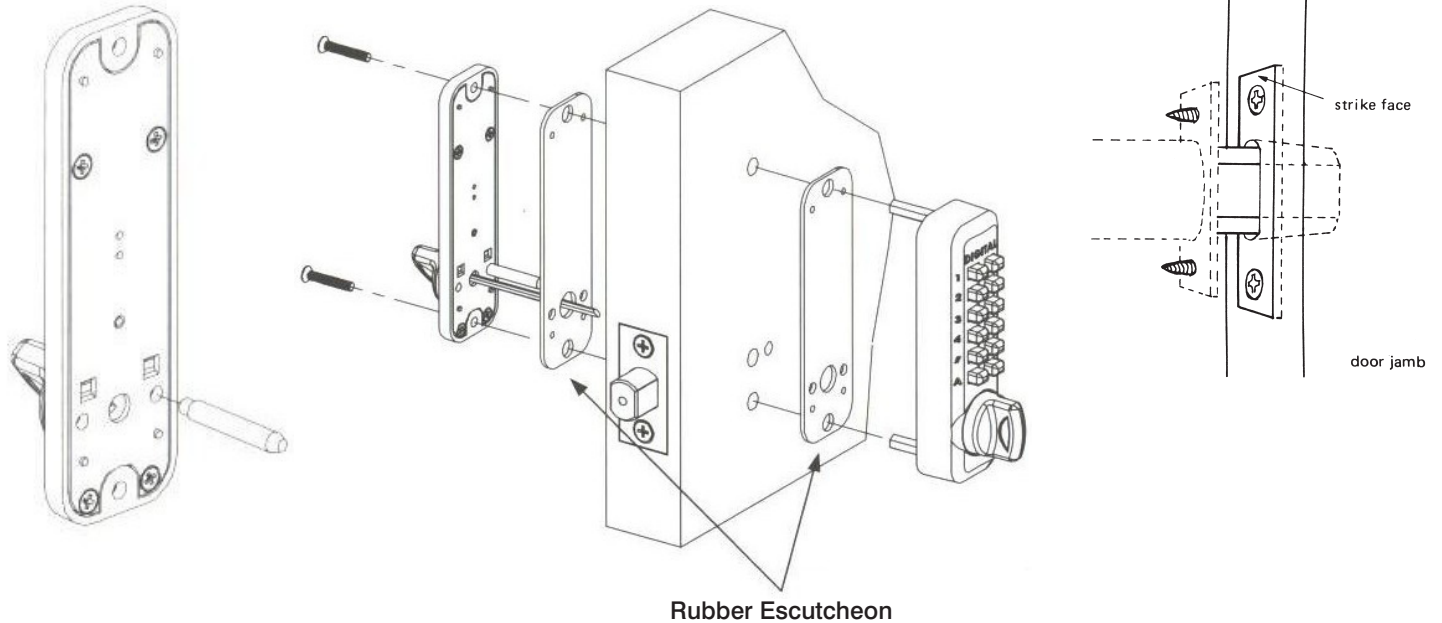
Door thickness from 40mm (1.37/64") to 55mm (2.11/64")86mm (3.25/64") length spindle (part No. 5)
 Door thickness from 30mm (1.3/16") to 45mm (1.49/64")76mm (2.63/64") length spindle (part No. 6)
(The indicated size on the Spindle is the applicable door thickness)

- e. Place brass guide pin in appropriate hole on back side of inside body (Fig. 5A)
- f. After placing the Rubber Escutcheon to the back-side of inside body, install it to the door. (Refer Fig.5B)
 (The spindle should be inserted to the Spindle Hole of inside body.)
- g. Fasten the inside body with the machine screws of the supplied proper length. (part No. 7-8)
- h. Check the operation of the dead bolt by turning the inside and outside knob.

Fig. 5A

Fig. 5B

Fig. 6



i. Close the door and decide the position where the dead bolt touches to the face of the door jamb. Make the hole for the Mortised Strike and chisel out the space for strike face until it is flush with the surface. And fasten the strike with the wood screws of M4 x 5/8". (part No. 9) (Refer Fig.6)

j. **Maintenance: No maintenance is needed for the Lockey 2000. DO NOT: oil, lube, or spray with anything soluble, it will void warranty.**

IV. HOW TO USE THE DIGITAL DOOR LOCK

- a. Locked and unlocked by turning the inside knob.
- b. Locked by turning the outside knob.
- c. Unlocked by turning the outside knob to clear, then pushing the equipped SECRET NUMBER and turn knob to unlock.

(The SECRET NUMBER is printed in the Secret Number Card which is put in this package)
 (In case of changing the SECRET NUMBER; refer the enclosed "How To Change the SECRET NUMBER".)

Lockey® Warranty:

Lockey® Systems, Inc. (LSI) warrants to the original purchaser of this Digital Door Lock Keyless Access Control that, should it prove defective by reason of improper workmanship and LSI will replace or repair, at LSI's option, this lock at no charge if shipped prepaid with dated proof of purchase during the warranty period to:

Do NOT return the lock to the retailer where the lock was purchased.



All Warranty work must be sent to:
 (Proof of Purchase Must Be Included)

Lockey® Warranty



116 W. Michigan Avenue~ Mt. Pleasant, MI 48858

THE WARRANTY DOES NOT COVER defects caused by modifications, alterations, repairs or service by anyone other than Lockey® Systems, Inc. physical abuse to, or misuse of the product or its operation in a manner contrary to instructions. WARRANTY IS VOID if silver screws are removed or tampered with from the back of combination side of Lock. If any type of lubricant, oil, grease or any other substance is placed within the Lockey® Digital Door Lock, the Warranty will be Void. Under no circumstances shall Lockey® Systems be liable to purchaser or any other person due to any special or consequential damages, whether arising out of breach of warranty, breach of contract or otherwise, including but not limited to, loss of property resulting from the failure of security or any other cause. Any lock that has been abused beyond the point of normal wear and tear will not be repaired. LSI does not warrant this lock from damage due to improper installation, or against the consequences of use for which this lock was not designed.

WARRANTY is for Mechanical defects to the lock. Although LSI uses only the finest protective coatings, finishes have their limitations due to natural elements and causes beyond the control of LSI. Wear to the finish is not considered to be a defect. Any express warranty not provided in this document and any remedy for breach of contract which, but for this provision might arise by implication or operation of law, is hereby excluded. Chant ability and of fitness for a particular purpose are expressly limited to a term of five years. This warranty also excludes all costs arising from installation and removal.

Exclusions: Locks manufactured prior to 2000 have no warranty coverage.