

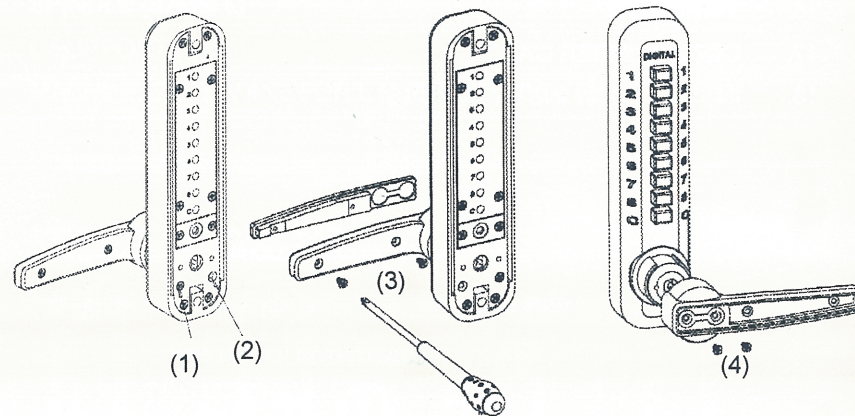
I

BEFORE INSTALLING THE DIGITAL DOOR LOCK, "SUPER-8"

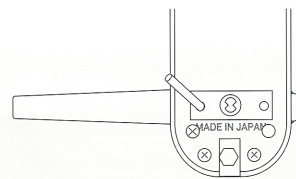
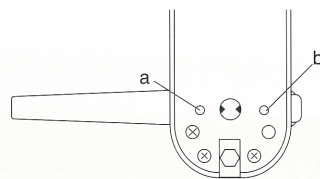
CONFIRM THE HAND OF OPENING

The lock comes factory set for right hand opening, if your door is hinged on the right from the entry side then proceed to HOW TO INSTALL after installing the L support pin as per below. If your door is hinge on the left from the entry side then follow changing the hand of opening to left hand.

CHANGING THE HAND OF OPENING TO LEFT HAND



- Move the screw (1) into position (2)
- Remove the two screws (3) from the inside of the handle releasing the handle cover.
- Remove the two screws (4) that connect the handle to the lock, lift the handle off and reverse it to left hand. Replace all screws securely.
- Repeat the same with the inside handle.
- On the entry side of the lock either side of the spindle cog there are two holes(a,b), screw the L support pin into the following position for R/H opening and the opposite position for L/H opening.



FOR RIGHT HAND

III

HOW TO INSTALL THE DIGITAL DOOR LOCK, "SUPER-8"

Using the template provided on page 10 for 60m/m B.S. or 11 for 70m/m B.S., decide on the position you want your lock.

- Mark the hole centers for each of the 3 holes on the surface of the door, and for the latch bolt at the center of door edge through the template.
- Drill the 3 holes, the upper and lower 2 holes @10mm dia and 3rd larger hole @36mm dia.) the hole in the edge of the door @25mm dia for the latch bolt.

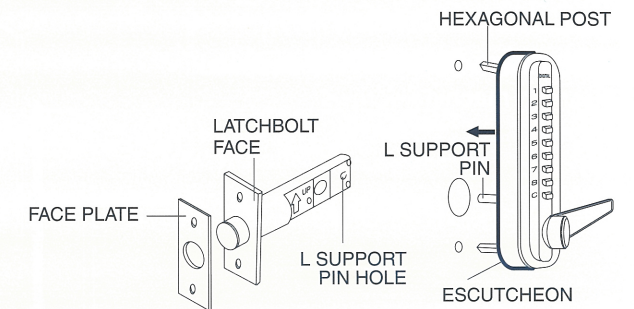
••• "60MM BACK SET" is 85mm depth •••

••• "70MM BACK SET" is 95mm depth •••

Insert the latch bolt into the slot making sure the arrow faces upwards and scribe a line around the latch-bolt face. Remove it.

Chisel out the scribed space until the latch bolt face is flush with the surface of the door edge.

Fasten latch bolt unit with the wood screws(4×16), evenly.



Insert the 2 hexagonal posts into the upper and lower holes of the front body and place the escutcheon on. Position the front body onto the door.

NOTE-CONFIRM THAT THE SUPPORT PIN IS INSERTED INTO THE SUPPORT PIN HOLE OF THE LATCHBOLT UNIT, SMOOTHLY.