

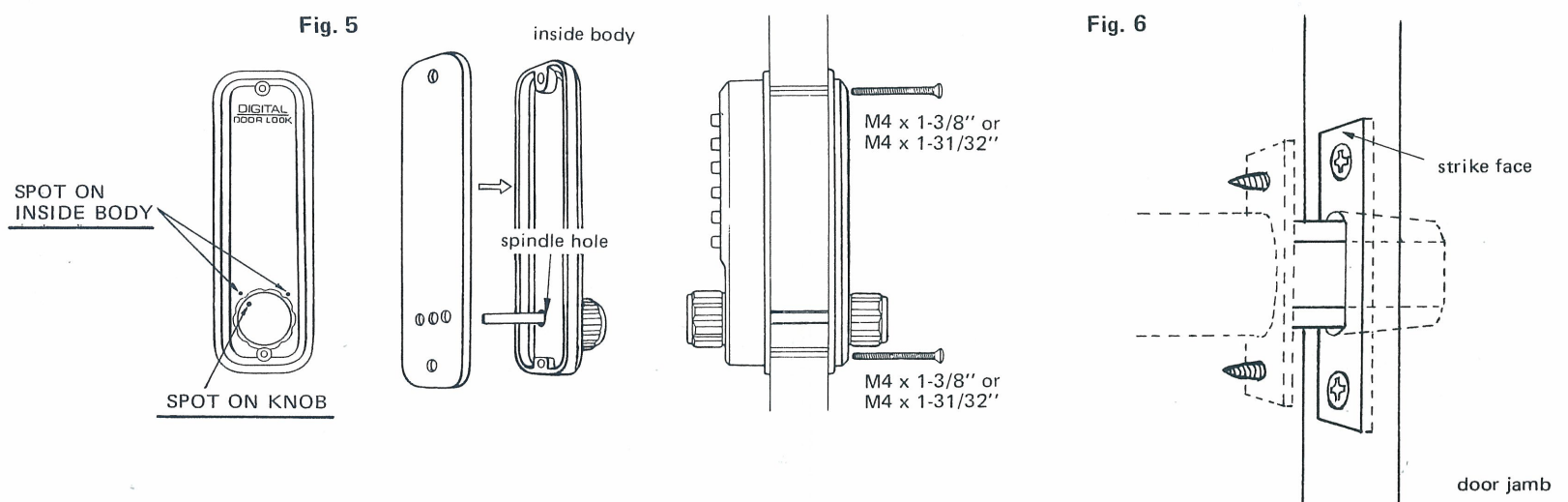
- d. According to the door thickness, select the proper spindle. And insert it into the hole which is located at the back-side of outside body through the hole of Deadbolt Unit from the indoor side.

Door thickness from 40mm (1.37/64") to 55mm (2.11/64") . . . . . 86mm (3.25/64") length spindle (part No. 5)

Door thickness from 30mm (1.3/16") to 45mm (1.49/64") . . . . . 76mm (2.63/64") length spindle (part No. 6)

(The indicated size on the Spindle is the applicable door thickness)

- e. After placing the Rubber Escutcheon to the back-side of inside body, install it to the door. (Refer Fig. 5.)  
 (The spindle should be inserted to the Spindle Hole of inside body.)  
 (The Spot is marked on the knob of inside body should be suited with either spot is marked on the surface of inside body.)
- f. Fasten the inside body with the machine screws of the supplied proper length. (part No. 7-8)
- g. Check the operation of the deadbolt by turning the inside and outside knob.



- h. Close the door and decide the position where the deadbolt touches to the face of the door jamb. Make the hole for the Mortised Strike and chisel out the space for strike face until it is flush with the surface. And fasten the strike with the wood screws of M4 x 5/8". (part No. 9) (Refer Fig. 6)

#### IV. HOW TO USE THE DIGITAL DOOR LOCK

- Locked and unlocked by turning the inside knob.
- Locked by turning the outside knob.
- Unlocked by turning the outside knob after pushing the equipped SECRET NUMBER.

**ATTENTION : Operating Instructions**

- Always press the button 'C' before pushing the SECRET NUMBER for entry.
- Press the button 'C' after locking on exit.

(The SECRET NUMBER is printed in the Secret Number Card which is put in this package.)

(In case of changing the SECRET NUMBER; refer the enclosed "How To Change the SECRET NUMBER".)