

d. According to the door thickness, select the proper spindle. And insert it into the hole which is located at the back-side of outside body, from the indoor side.

(In case of NO. 2210, insert the proper spindle into the hole of the back-side on the outside body through the hole of deadbolt unit.)

(The indicated size on the Spindle is the applicable door thickness)

- In case of NO. 2200 Door thickness from 45mm (1-49/64") to 55mm (2-11/64") 96mm (3-25/32") length spindle (part NO. 8)
 Door thickness from 35mm (1-3/8") to 45mm (1-49/64") 86mm (3-25/64") length spindle (part NO. 9)
 Door thickness from 25mm (63/64") to 35mm (1-3/8") 76mm (2-63/64") length spindle (part NO. 10)
- In case of NO. 2210 Door thickness from 40mm (1-37/64") to 55mm (2-11/64") 86mm (3-25/64") length spindle (part NO. 11)
 Door thickness from 30mm (1-3/16") to 45mm (1-49/64") 76mm (2-63/64") length spindle (part NO. 12)

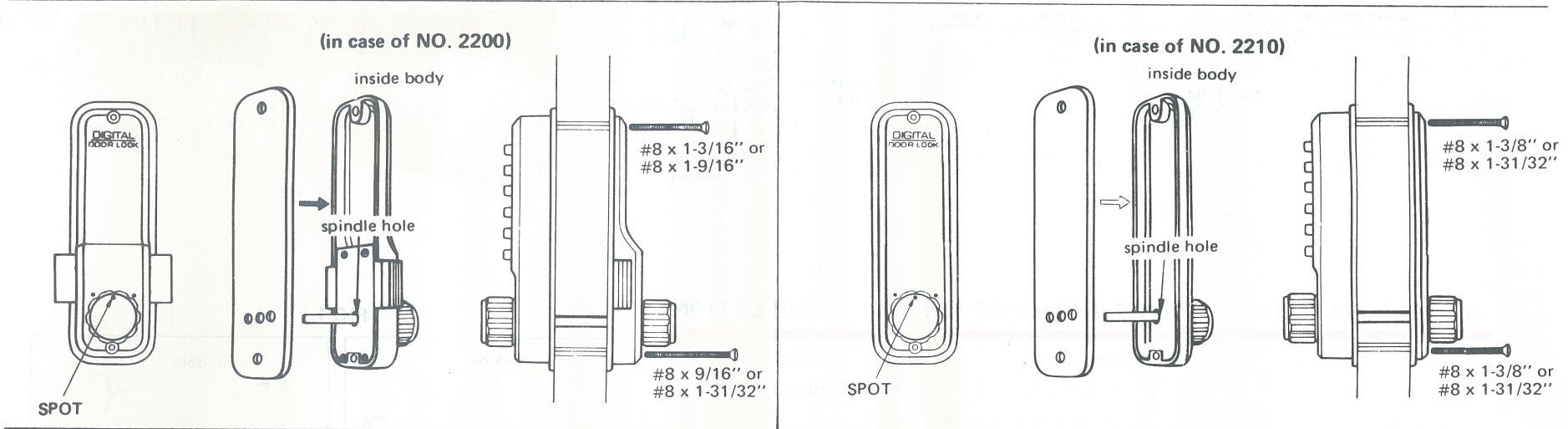
e. After placing the Rubber Escutcheon to the back-side of inside body, install it to the door.

(The spindle should be inserted to the Spindle Hole of inside body.)

(The Spot is marked on the knob of inside body should be in the upper position to suit with 2 spots on the surface of inside body.)

f. Fasten the inside body with the machine screws of the supplied proper length (parts NO. 13-16)

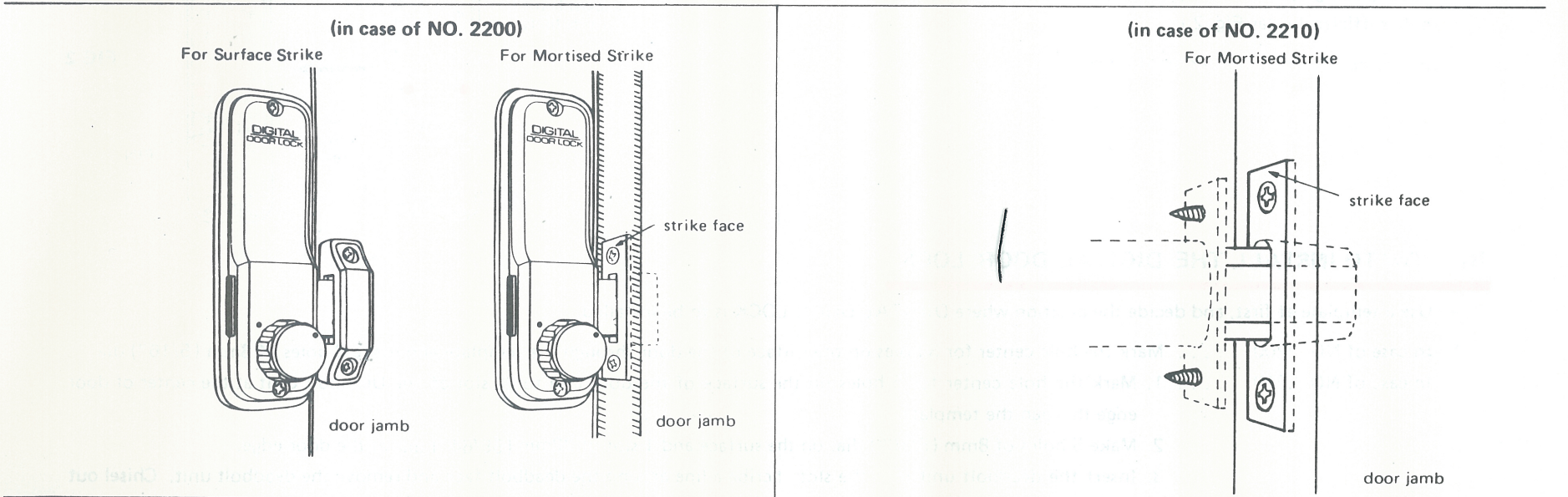
g. Check the operation of the deadbolt by turning the outside and inside knob.



h. Close the door, and decide the position which the deadbolt touches to the face of the door jamb. Make the hole for the Mortised Strike and chisel out the space for strike face until it is flush with the surface. And fasten the strike with the wood screws (#8 x 5/8")

(In case of "surface strike" on NO. 2200, install it at the position which the deadbolt slides to the door jamb, with the wood screws (#8 x 1")

i. On the installation of NO. 2200, in case that the installed position of the inside body is not flush with the position of surface strike, adjust the height using the supplied two kinds of spacers (2.0mm «5/64"» and 1.5mm «1/16"» thickness) to the bottom of the inside body or the surface strike.



IV. HOW TO USE the DIGITAL DOOR LOCK

- Locked and unlocked by turning the inside knob.
- Locked by turning the outside knob.
- Unlocked by turning the outside knob after pushing the equipped SECRET NUMBER.
 (The "SECRET NUMBER CARD" of this Digital Door Lock is put in.)
 (In case of changing the SECRET NUMBER, refer the enclosed "How To Change the SECRET NUMBER".)

ATTENTION : OPERATING INSTRUCTIONS

- Always press button 'C' before code for entry.
- Press button 'C' after locking on exit.