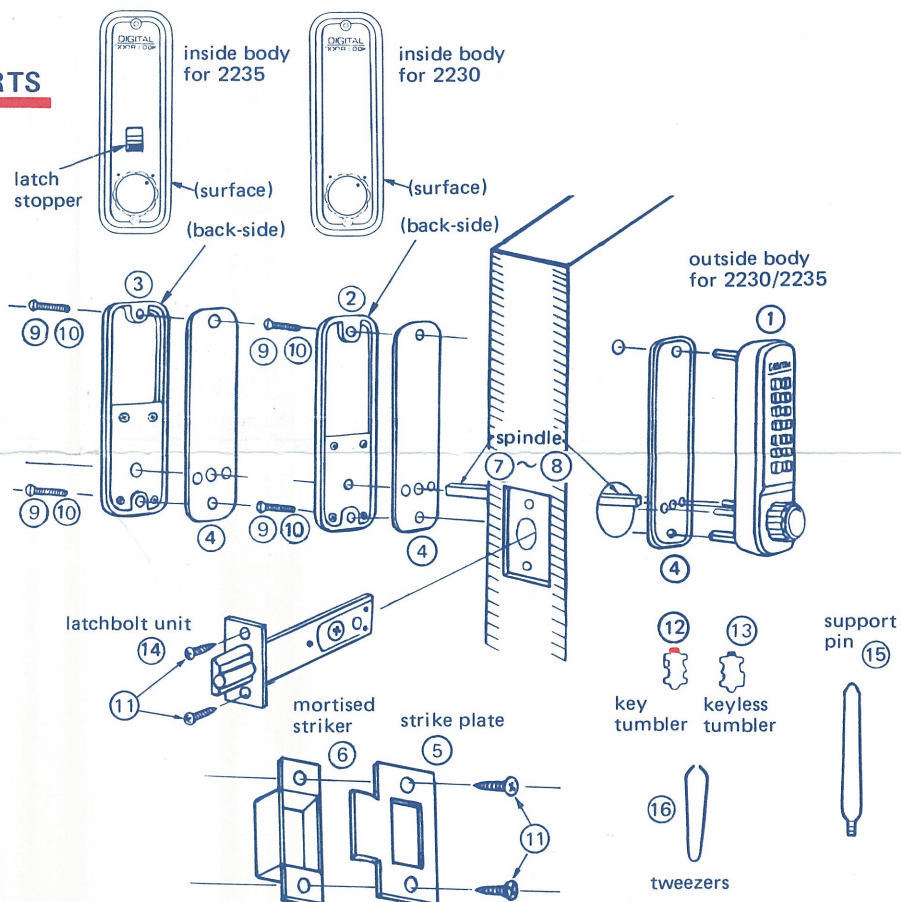


"INSTALLATION INSTRUCTIONS OF DIGITAL DOOR LOCK" NO. 2230 (Built-In type Latchbolt Lock without "LATCH STOPPER") NO. 2235 (Build-In type Latchbolt Lock with "LATCH STOPPER")

I. THE NAME AND DETAILS OF THE ENCLOSED PARTS

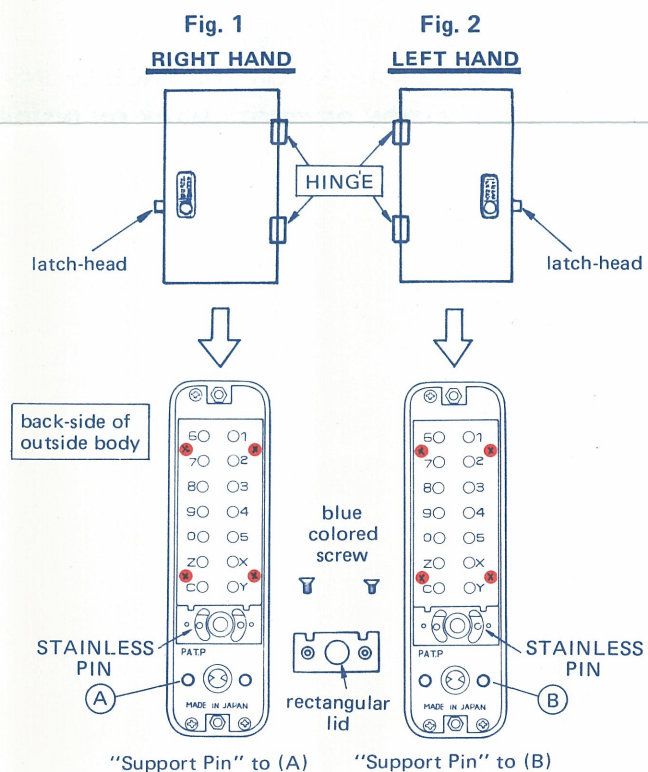
NO.	name of parts	NO.2230	NO.2235
1.	outside body	1 pce	1 pce
2.	inside body	1 pce	
3.	inside body with "LATCH STOPPER"		1 pce
4.	rubber escutcheon	2 pcs	2 pcs
5.	strike plate	1 pce	1 pce
6.	mortised striker	1 pce	1 pce
7.	spindle for 40-55mm (1.37/64"-2.11/64")	1 pce	1 pce
8.	spindle for 30-45mm (1.3/16"-1.49/64")	1 pce	1 pce
9.	machine screw M4 x 1.31/32" for above 7	2 pcs	2 pcs
10.	machine screw M4 x 1.3/8" for above 8	2 pcs	2 pcs
11.	wood screw M4 x 5/8"	4 pcs	4 pcs
12.	key tumbler (red)	1 pce	1 pce
13.	keyless tumbler (blue)	1 pce	1 pce
14.	latchbolt unit	1 pce	1 pce
15.	support pin	1 pce	1 pce
16.	tweezers	1 pce	1 pce



II. CONFIRM THE POSITION OF HINGE BEFORE INSTALLATION

DIGITAL DOOR LOCK is equipped with "FOR RIGHT HAND" which the hinge is installed on the right of the door on the sight from the out-door regardless of the opening direction of the door.

1. In case of "For Right Hand"
 - a. After removing the rectangular lid, confirm whether the "Stainless Pin" is set to the prescribed left hole, as shown in Fig. 1.
 - b. Install the supplied SUPPORT PIN (Part No. 15) to "A" as Fig. 1.
2. In case of "For Left Hand"
 - a. After removing the rectangular lid, change the "Stainless Pin" to the right hole using the supplied tweezers, as shown in Fig. 2.
 - b. Install the supplied SUPPORT PIN (Part No. 15) to "B" as Fig. 2.



III. HOW TO INSTALL THE DIGITAL DOOR LOCK

- a. Use a template at first and decide the position where DIGITAL DOOR LOCK is to be installed.
- b. Mark the hole center for a small hole (8mm dia. ...5/16" dia.) and for a large hole (36mm dia. ...1.7/16" dia.) on the surface of the door. And also mark the hole center of 1 slot for the Latchbolt Unit at the center of door edge through the template. (Refer Fig. 3)

Fig. 3

