

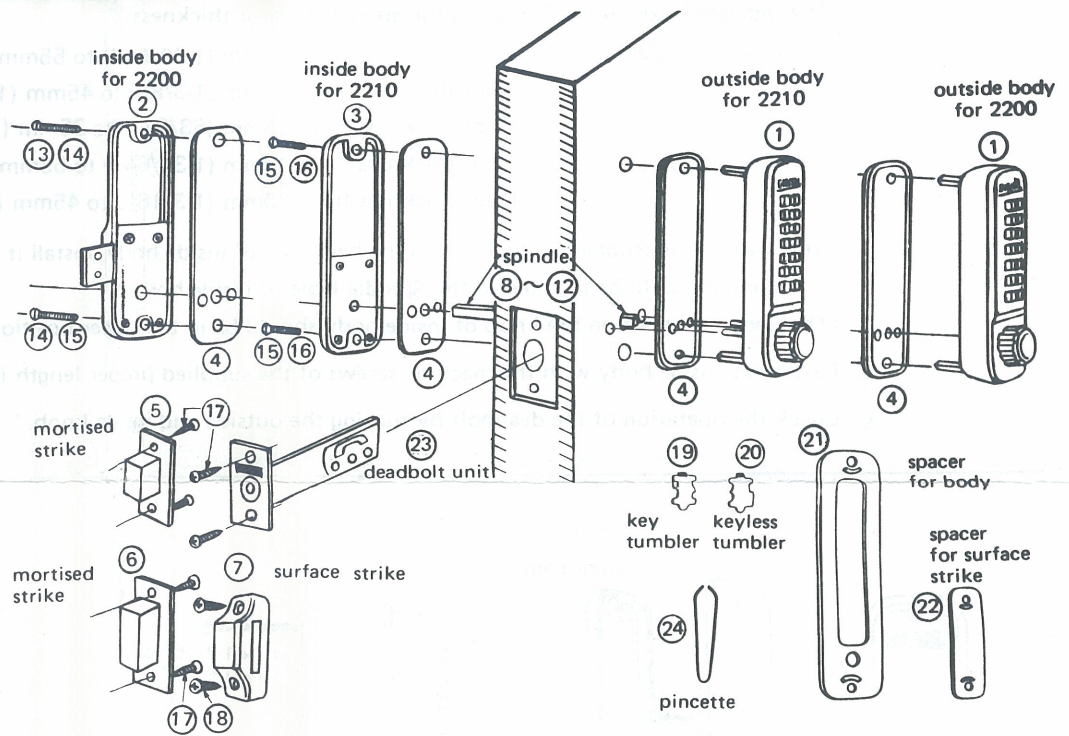
"INSTALLATION INSTRUCTIONS OF DIGITAL DOOR LOCK"

NO. 2200 (Rim type Deadbolt Lock)

NO. 2210 (Built-In type Deadbolt Lock)

I. The Name and Details of the Enclosed Parts

NO.	name of parts	NO. 2200	NO. 2210
1.	outside body	1 pce	1 pce
2.	inside body	1 pce	
3.	inside body		1 pce
4.	rubber cushion	2 pcs	2 pcs
5.	mortised strike		1 pce
6.	mortised strike	1 pce	
7.	surface strike	1 pce	
8.	spindle for 45-55mm(1-49/64"-2-11/64")	1 pce	
9.	spindle for 35-45mm (1-3/8"-1-49/64")	1 pce	
10.	spindle for 25-35mm(63/64"-1-3/8")	1 pce	
11.	spindle for 40-55mm(1-37/64"-2-11/64")		1 pce
12.	spindle for 30-45mm (1-3/16"-1-49/64")		1 pce
13.	machine screw #8 x 1-3/16"	1 pce	
14.	machine screw #8 x 1-9/16"	1 pce	
15.	machine screw #8 x 1-31/32"	1 pce	2 pcs
16.	machine screw #8 x 1-3/8"		2 pcs
17.	wood screw #8 x 5/8"	2 pcs	4 pcs
18.	wood screw #8 x 1"	2 pcs	
19.	key tumbler (red)	1 pce	1 pce
20.	keyless tumbler (blue)	1 pce	1 pce
21.	spacer for body (1/16", 5/64")	each 1 pce	
22.	spacer for surface strike(1/16", 5/64")	each 1 pce	
23.	deadbolt unit		1 pce
24.	pincette	1 pce	1 pce



II. CONFIRM THE POSITION OF THE HINGE BEFORE INSTALLATION

DIGITAL DOOR LOCK is equipped with "For Right Hand Door" which the hinge is installed on the right of the door on the sight from the out-door regardless of the opening direction of the door, as shown in Fig. 1.

*** In case of the left hand door, change the PIN as the following explanation. ***

- Remove 2 blue colored screws by the driver, and take off the rectangular lid.
- After pulling up the PIN by the supplied pincette, insert it into the right hole sufficiently. (as Fig. 2.)
- Reset the lid with 2 blue colored screws.

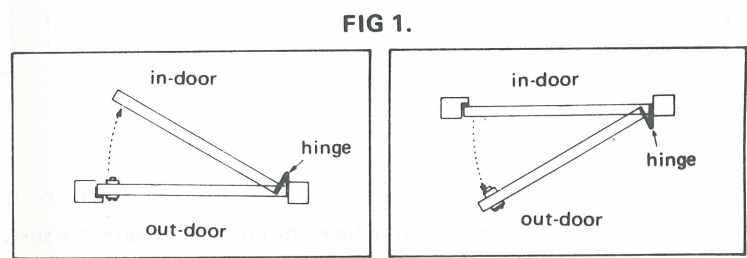


FIG 1.

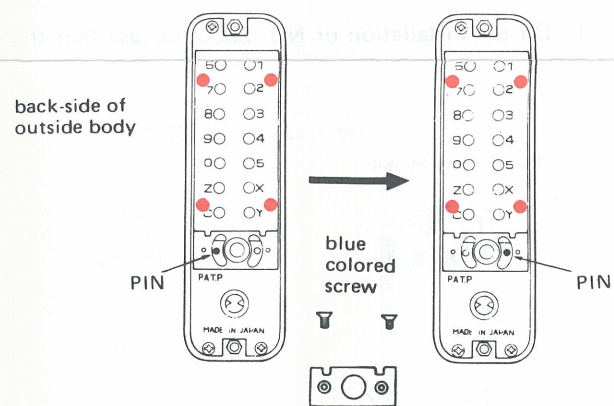


FIG 2

III. HOW TO INSTALL THE DIGITAL DOOR LOCK

- Use a template at first, and decide the position where DIGITAL DOOR LOCK is to be installed.
- In case of NO. 2200 Mark the hole center for 3 holes on the surface of the door through the template and make 3 holes of 8mm (5/16") dia.
In case of NO. 2210 1. Mark the hole center for 5 holes on the surface of the door and for 1 slot of the Deadbolt Unit at the center of door edge through the template.
2. Make 5 holes of 8mm (5/16") dia. on the surface and 1 slot of 22mm (55/64") dia. at the door edge.
3. Insert the deadbolt unit into the slot. Scribe a line around the deadbolt face and remove the deadbolt unit. Chisel out the scribed space until the deadbolt face is flush with the surface of the door edge. The mark on deadbolt face should be in the upper position.
4. Fasten the deadbolt unit with the wood screws (#8 x 5/8").
- After placing the Rubber Escutcheon to the back-side of outside body, insert 2 hexagonal legs of the outside body into the holes of upper and lower position on the door. (See Fig. 3 for NO. 2200 and Fig. 4 for No. 2210)

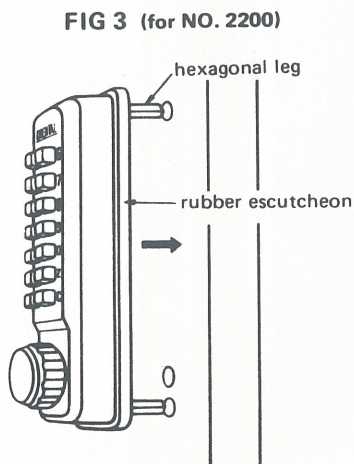


FIG 3 (for NO. 2200)

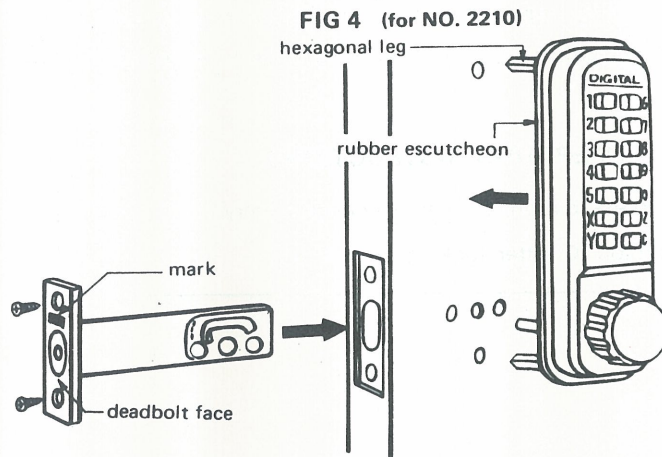


FIG 4 (for NO. 2210)